



Aliva[®]-503.3

MINI SHOTCRETE SYSTEM

IDEAL IN MINES OR FOR SLOPE STABILIZATION

■ Even suitable in very narrow tunnels

Thanks to its very compact design, the modern Aliva-503.3 concrete spraying mobile is ideal for applying wet or dry mixes in any working space, even in narrow tunnels. The reinforced track carrier with its four hydraulic supporting legs guarantees maximum stability during concrete spraying.

■ Easy handling and time-saving maintenance

The mobile concrete spraying system can be easily handled by remote control. Detachable, robust planking plates protect the spraying arm from concrete rebound and allow maintenance work to be done quickly.

■ Telescopic, robust Spraying arm

The Aliva-302.1 telescopic spraying boom reaches a coverage area of 8.75 m and combined with the Aliva Converto RoboSpray spraying device provides you with the best shotcreting results every time.

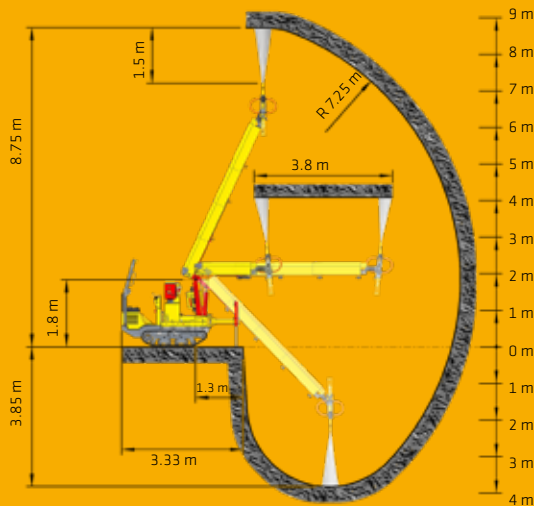
Aliva[®]-503.3

COMPACT, AGILE, EFFICIENT

Slope stabilization, excavation support, in tunnelling or mining or in small shafts during construction of power stations are just a few examples of where our modern and highly efficient Aliva spraying system can spring into action!

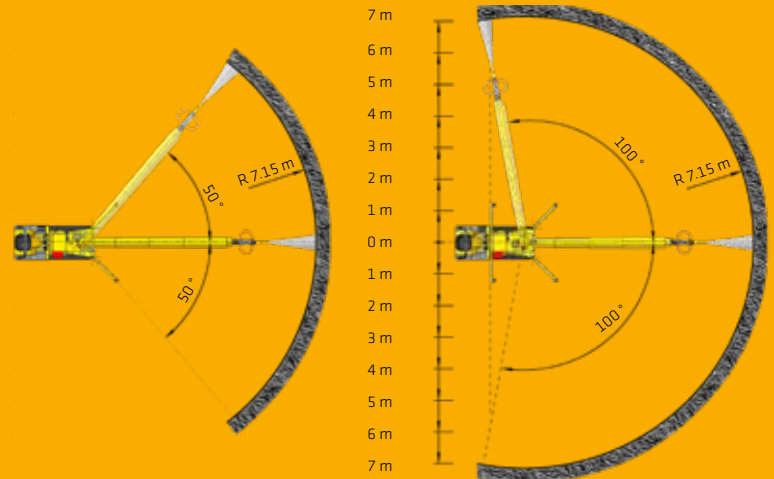
Equipped with the telescopic spraying arm Aliva-302.1 you can reach a coverage area of over 8 m and complete your projects quickly and efficiently.

COVERAGE AREA - SIDE VIEW



COVERAGE AREA - TOP VIEW

2 SUPPORTING LEGS OPTIONAL WITH 4 SUPPORTING LEGS



ADVANTAGES AND BENEFITS

- Uniquely reinforced track carrier with roll bar and safety harness for maximum protection
- 2 independent hydrostatic drives
- Powerful, water cooled 16-kW diesel engine
- 2 front supporting legs, hydraulic, for highest stability and 100° spraying coverage area
- 3-hub telescopic spraying arm Aliva-302.1 with hydraulic aggregate and control cabinet
- Electrical remote control with 15 m cable

VARIANTS

- 2 additional, supporting legs (hydraulic) sideways for up to 200° spraying angle
- Light package with working head lights (2x460W), driving head lights (4xLED) and flashing light
- Radio control (no cleaning or unwinding of cables necessary)

Prior to use or processing, always consult the current operating manual of the products used. The current version of our respective General Terms and Conditions applies.

TECHNICAL DATA ALIVA-503.3 AND ALIVA-302.1 SPRAYING ARM

Dimensions and weight, transport	
Length (on LKW transport)	3'150 mm
Width (on LKW transport)	1'080 mm
Height (on LKW transport)	2'750 mm
Weight	2'500 kg
Dimensions and weight in operation (with fully extended supporting legs)	
Length	3'300 mm
Min. Width	3'180 mm
Height by min. width to turn the spraying arm	3'800 mm
Operating limitations of machine	
Max. gradient (while driving)	25 %
Max. gradient (in working position)	2 %
Max. loading capacity (driver)	150 kg
Min. bend radius	1 m
Ground clearance	130 mm
Overall machine data	
speed 1	0-4 km/h
speed 2	0-7 km/h
diesel tank	24 Liters
Spraying arm	
Aliva [®] -302.1 telescopic spraying arm	3 m Hub
Weight	appr. 580 kg
Hydraulic aggregate electric motor output	7.5 kW
Voltage (protection typ IP 65)	380 -480 V 50 / 60 H

NORMET INTERNATIONAL LIMITED

Aliva Equipment
Bellikerstrasse 218
CH-8967 Widen
Switzerland

Contact

Phone +41 58 436 32 22
www.aliva-equipment.com
aliva.equipment@normet.com

normet **aliva[®]**